

## Article Info

Received: 25 Jul 2017 | Revised Submission: 20 Aug 2017 | Accepted: 28 Aug 2017 | Available Online: 15 Dec 2017

## Review of Bidirectional DC-DC Converters

*M. Ejas Ahamed\* and S Senthil kumar\*\**

### ABSTRACT

*There is a growing importance in bidirectional dc-dc converters for interface battery with energy source. This paper provides a comprehensive review of non-isolated bidirectional dc-dc converter topologies. The classification and explanation of each type of converter is based on the features and applications. This review paper is intended as a convenient reference to future bidirectional dc-dc converter users. The most promising converters in terms of their simplicity, flexibility, and high efficiency are singled out.*

**Keywords:** *Dc-Dc Converter; Bidirectional Converter; Buck-Boost Converter; Non-Isolated.*

### 1.0 Introduction

Sources of electric energy for industry, agriculture, civilian or military use differ in their purposes, appliance and supplied system types. Autonomous generation systems, sources based on solar and wind energy, are commonly used to supply various appliances, facilities, systems, and provide for heating, illumination, and other purposes in almost all spheres. Almost all of these systems use super-capacitors, accumulators (batteries) or different energy buffers for stable operation under all possible conditions and requirements.

For the reason above and due to the growing needs in systems with the ability of bidirectional energy transmission between two dc buses, Bidirectional Dc-dc Converters (BDCs) have received increased attention.

Apart from their traditional application in energy storage and dc motor drives, BDCs have become a promising option for many applications, such as portable devices, spacecraft power systems, Uninterruptible Power Supplies (UPS), electric vehicles [1], fuel cells and renewable energy systems [2-3].

In the electric vehicle application, an auxiliary energy storage battery absorbs the energy fed back by the electric machine during deceleration of the motors.

In addition, BDC is also required for the

power supply from auxiliary battery to boost the high-voltage bus during motor startup or acceleration when a large amount of power is required [1, 4-7]. Moreover, BDCs can also be used in industrial equipment. Such equipment started and stopped very frequently, so energy can be recuperated without being wasted.

Recently, clean energy resources such as solar photovoltaic technologies and wind turbines have been widely exploited for developing renewable power generation systems.

However, fluctuations of power generation due to changes in weather conditions and occasional massive needs in output power makes Renewable Energy Sources (RES) inapplicable for self-contained operation as the single power source.

The typical solution to this problem is the use of energy storage devices in conjunction with the RES to compensate this variability and obtain a stable and smooth power flow to the load. The most applicable and cost-effective energy storage devices in the medium-power range are lithium-ion or other types of batteries and super-capacitors. A renewable power system with BDC is shown in

BDCs maintain a stable load bus voltage and make full usage of the solar array, wind turbine, fuel cell and the storage battery in all operating modes [7-13].

This paper proposes a general classification of bidirectional DC-DC Converter.

\*Corresponding Author: Department of EEE, Bannari Amman Institute of Technology 1, Sathyamangalam, Erode district, Tamil Nadu, India. (E-mail: ejas600@gmail.com)

\*\*Department of EEE, Bannari Amman Institute of Technology 1, Sathyamangalam, Erode district, Tamil Nadu, India.

## 2.0 Bidirectional DC-DC Converters

Most of the existing BDCs are characterized by a current fed or voltage fed on one side [14]-[18]. Based on the placement of an auxiliary energy storage, BDCs can be categorized into buck and boost type. In the buck type, energy storage is placed on the high voltage side and in the boost type on the low voltage side.

To realize the double power flow in BDCs, the switch cell should carry the current in both directions. It is usually implemented with a unidirectional semiconductor power switch such as power MOSFET or IGBT in parallel with a diode (or body diode) because the double sided current flow power switch is not available.

Depending on the application, different dc-dc converters are used to modulate the input voltage. Generally, there are two basic types of BDCs, which are non-isolated and isolated (Fig. 1).

This paper will focus on the non-isolated converters.

In the transformerless non-isolated power conversion systems, the boost type and the buck type dc-dc converters are commonly chosen.

The high frequency transformer based system is a reasonable solution to obtain isolation between the source and the load side. Isolation is mandatory when the very high step-up or step-down ratio is required.

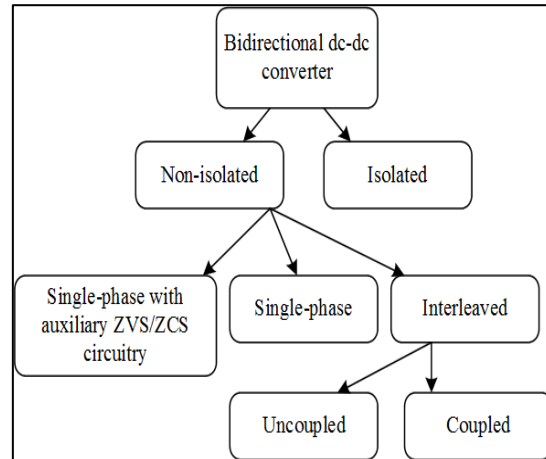
But to improve the efficiency, size, weight and cost, the non-isolated type is much more attractive. Thus, in the high power or spacecraft power system applications [17-23] where weight and size are the main concern, the transformerless type is more preferable

As it can be seen from Fig. 1, the main types of non-isolated converters are single-phase, single-phase with ZVS/ZCS circuitry and interleaved converters.

Note that it is not only the second type that exploits the benefits of soft-switching or resonant techniques to increase the switching frequency and achieve lower size and weight.

Instead of auxiliary circuitry, single-phase and interleaved converters use different frequency modulation and switching techniques, parasitic elements of the devices as resonant elements, e.g. output capacitance of MOSFET.

**Fig 1: Simplified Classification of the Bidirectional Dc-Dc Power Converters.**



As it can be seen from Fig. 1, the main types of non-isolated converters are single-phase, single-phase with ZVS/ZCS circuitry and interleaved converters. Note that it is not only the second type that exploits the benefits of soft-switching or resonant techniques to increase the switching frequency and achieve lower size and weight. Instead of auxiliary circuitry, single-phase and interleaved converters use different frequency modulation and switching techniques, parasitic elements of the devices as resonant elements, e.g. output capacitance of MOSFET.

The continuity of the current in the battery is also an important classification criterion. It influences the battery lifetime. Thus, it is possible to select the prior solution suitable for specific tasks. Topologies with continuous current from the battery are shown with background highlighted in Fig. 2.

## 3.0 Overview of Basic Non-Isolated DC-DC Converters

This section focuses on the performance analysis of different non-isolated dc-dc converters. Figs. 2, 3 and 4 show the basic circuits for each type of the dc-dc converters covered in this paper.

### 3.1 Single-phase NBDCs

The common non-isolated half-bridge BDC topology, shown in Fig. 2a is basically a combination of a step-up converter together with a step-down converter connected in anti-parallel [24],

[25]. It can operate in either synchronous buck or boost mode to transfer power in both directions. The bidirectional operation of the circuit can be explained in two modes as follows. During the forward step-down operation, T1 is operated with the required duty cycle and the switch T2 is always off while its body diode is conducting. Similarly, in the backward step-up operations, T2 is operated and T1 is always off.

The second bidirectional topology [24] can be obtained from the simple inverting buck-boost topology by replacing diode with second switch T2 (Fig. 2b). The principal of operation is similar to a fly back converter but with single inductor instead of a transformer. During the forward operation mode, T1 is switching at the required duty cycle while switch T2 is kept close all the time. Same, during the backward operation mode, switch T2 is conducting at the required duty cycle while switch T1 is always off.

Comparing with the first converter circuit, wherein the output voltage can be  $0-V_{in}$  in buck mode and  $V_{bat}-\infty$  (ideal converter), the voltage in bidirectional inverting buck-boost converter can be  $0-\infty$  in both directions (ideal converter). Note that output voltage has opposite polarity than input, which is a burden in many applications. This problem can be resolved by adding more switches to this configuration, as shown in Fig. 2c.

The third topology (Fig. 2c) can be obtained by cascading the buck converter with the boost converter [26]-[29]. This topology operates in all quadrants (4 quadrant converter). It means that it is capable of step-down and step-up operations in both directions. Cascading buck-boost BDC is the most flexible topology. But it has several drawbacks: increasing the number of power switches and, as a consequence, a more complex control system and control algorithms and higher turn-on losses caused by reverse recovery problem of transistors body diodes.

The bidirectional Cuk converter structure [26], [30], [31] shown in Fig. 2d is derived from the conventional unidirectional Cuk converter by replacing the main diode by MOSFET. It has an advantage of low ripple in the input and the output currents, therefore, the bidirectional Cuk converter is a proper choice for applications like battery equalization [32], ultracapacitor-battery interface

circuits [33], and bidirectional converter to manage the power flow and maintain energy storage device's health. Inductors L1 and L2 can be coupled for decreasing ripple of input and output currents. Due to the fact, that Cuk converter essentially is series-connected boost and buck topologies with the energy storage capacitor C, the output voltage can be either higher or lower than the input in both directions. In the forward mode of operation, T1 is controlled and T2 is off and the body diode of T2 operates as the main diode. Similarly, in the backward mode of operation, T2 is controlled and T1 is off and the body diode of T1 operates as the main diode.

The basic schematic circuit of a bidirectional SEPIC/Zeta dc-dc converter shown in Fig. 2e operates as a conventional SEPIC converter for the forward power flow, and like a Zeta converter for the backward power flow [34-36]. It is basically the rearrangement of Cuk converter. SEPIC/Zeta converter can also have either higher or lower output voltage in both directions, but the polarity of dc buses is the same. During the forward power flow, the SEPIC converter acts as a buck converter, T1 is acting as a power switch and T2 is off during this charging period. The backward power flow is considered as the Zeta mode of operation, the converter acting as a boost. T2 is acting as power a switch and T1 is off during this discharge period. Inductors L1 and L2 can be coupled to reduce output voltage ripple and voltage stress on switches.

A modified BDC [37]-[39] is shown in Fig. 2f. This converter employs a coupled inductor with the same winding turns in the primary and secondary sides. The proposed converter has the following advantages over the conventional half-bridge bidirectional converter: higher step-up and step-down gains, lower average value of the switching current under the same electric specification. In the step-up mode, PWM technique is used to control switches T2 and T3 simultaneously. Switch T1 is a synchronous rectifier.

In the step-down mode, the PWM technique is used to control switch T1, while switches T2 and T3 are the synchronous rectifiers Figs. 2g and 2h show a BDC with tapped inductor. The traditional converter topologies (Figs. 2b and 2a) are extended by an additional inductor which is magnetically coupled with the original inductor.

Due to the magnetic coupling, both windings are on the same core and therefore no additional magnetic part is necessary.

In constant to the conventional topologies, the use of a tapped inductor leads to a higher step-up ratio, thus avoiding the extreme duty cycle of the active switch and the high peak currents in the active and passive switches.

Also, lower step-down ratio is achieved. Note that the polarity of dc bus voltages is reversed with respect to a common ground (same as in Fig. 2b), which is a burden in many applications.

The Switched Capacitor (SC) BDC shown in Fig. 2i. Is mostly used when it is required to realize the dc-dc converter by Integrated Circuit (IC) technology.

As no magnetic devices are required in those converters, possibilities of IC fabrication are promising. Starting from the idea of using basic SC cells in filter design, many techniques of operating the switches and switching pattern have been proposed for power conversion. Each capacitor in the converter is basically passing through a charging phase from the supply and/or another capacitor.

However, SC converters are characterized by weak regulation capability, their voltage conversion ratio is determined by the circuit topology, high ripple of input current that produces Electromagnetic Interference (EMI).

Most of those problems can be solved by adding a current control scheme and a voltage control scheme, which will adjust the charging trajectory of the capacitor.

However, the result increased converter complexity and cost.

Non-isolated BDC with Negative-Coupled Inductor (NCI) is shown in Fig. 2j. Splitting the switch branch into two power flow paths prevents

the freewheeling current from flowing through the body diode of the MOSFETs.

Thus, reverse-recovery problem of MOSFET's body diode is alleviated. During the forward step-down operation mode,

T1 is controlled with the required duty cycle,

T2 is off and D1 operates as the main diode.

Similarly, in the backward step-up mode, T2 is controlled with the required duty cycle, T1 is off and D2 operates as the main diode.

### 3.2. Single-phase with auxiliary ZVS/ZCS circuitry

In all converters, high efficiency, reliability and simple control technique are the key criteria. Because of the limited efficiency of hard-switching converters, soft-switching techniques are gaining popularity and are applied to the non-isolated BDCs.

Soft-switching technique enables high efficiency by reducing switching losses and miniaturization and light weight.

However, it makes schematics more complex, more difficult to control and tune.

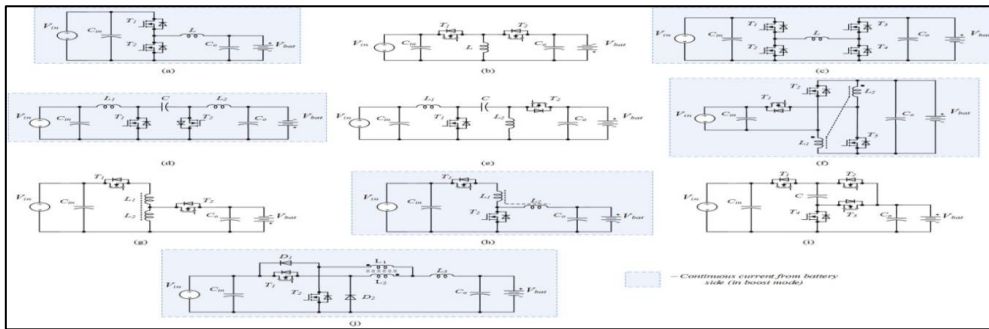
Fig. 4 shows the basic types of half-bridge single-phase bidirectional converters with auxiliary ZVS/ZVS circuits.

Other types of converters, such as the Cuk converter [31], the SEPIC/Zeta converter [20], [36] and the switched capacitor converter, could also have resonant circuits and active clamps.

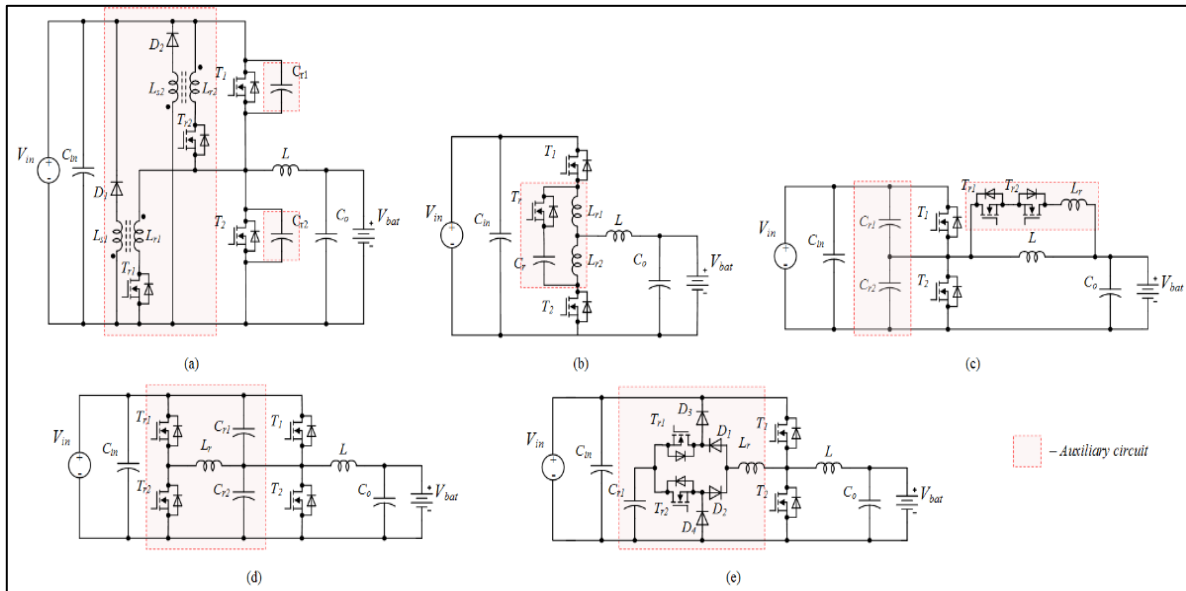
### 3.3. Interleaved converters

In recent years, it has been found that an interleaving concept or in more general terms, synchronizing paralleling power stages with relative phase shift ( $360^\circ/n$ ) is applicable.

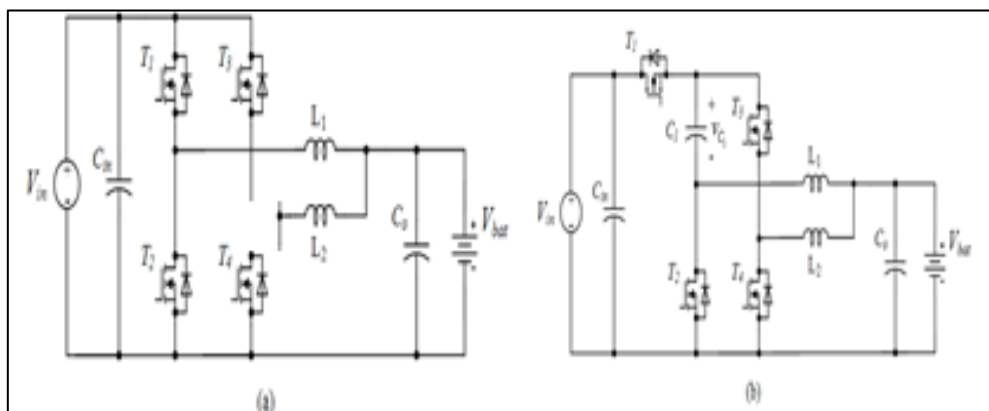
**Fig 2: Basic Types of Single-Phase Nbdcs.**



**Fig 3: Basic Types of Half-Bridge Single-Phase Nbdcs With Auxiliary Circuit**



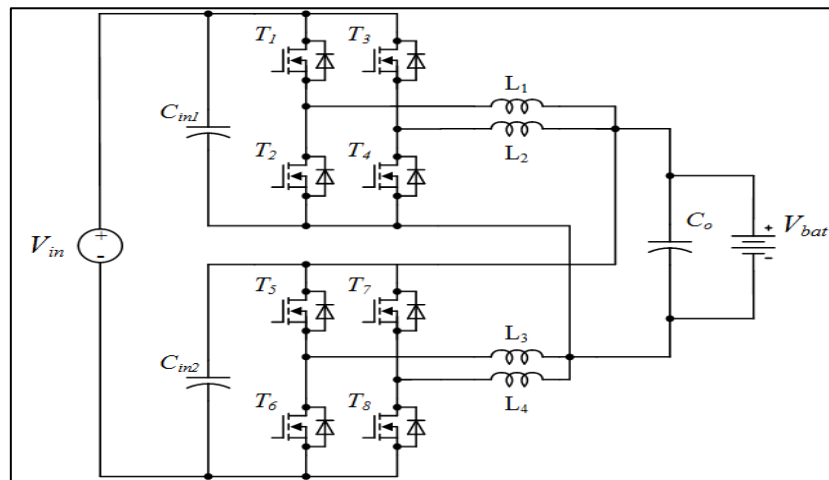
**Fig 4: Basic Interleaved Nbdcs**



**Table 1: Characteristics Comparison of NBDCS**

Topology	Basic criteria's					
	Voltage conversion ratio $V / V$ (buck mode)	Voltage conversion ratio $V / V$ (boost mode)	Output current ripple (buck mode)	Number of switches	Number of passive components	Magnetic required
Half bridge (Fig. 2a)	D	$\frac{1}{1-D}$	$V_{bat} (1-D)$ $L_{fsw}$	2	3	Single inductor
Inverting bidirectional (Fig. 2b)	D – $1-D$	D – $1-D$	$V_{bat} (1-D)$ $L_{fsw}$	2	3	Single inductor
Cascaded bidirectional (Fig. 2c)	D	$\frac{1}{1-D}$	$V_{bat} (1-D)$ $L_{fsw}$	4	3	Single inductor
Cuk (Fig. 2d)	D – $1-D$	D – $1-D$	$V_{in} D$ $2 \text{ sw}$	2	5	Coupled or two inductors
SEPIC/Zeta (Fig. 2e)	D $1-D$	D $1-D$	$V_{in} D$ $L_1$ $f_{sw}$	2	5	Coupled or two inductors
Modified BDC with coupled inductors (Fig. 2f)	D $2-D$	$1+D$ $1-D$	$V_o D$ $(1+k)L_{fsw}$	3	4	Coupled inductors
Tapped inductor (Fig. 2h)	$\frac{D}{D+n(1-D)}$ , $n = + N \text{ } N_{bat}$	$\frac{1-D+nD}{1-D}$	$n2V (1-D)$ $L_f$	2	3	Single tapped inductor
Switched capacitor (Fig. 2i)	0.5	2	$C_{fsw} (V_{in} - V_{bat})$	4	3	No
Interleaved (Fig. 4a)	D	$\frac{1}{1-D}$	$V_{bat} (1-2D)$ $L_{fsw}$	2N	2+N	N inductors with or without coupling
Interleaved with charge pump (Fig. 4b)	D 2	2 $1-D$	$2V_{bat} (0.5-D)$ $L_{fsw}$	2N	2N+1	N inductors with or without coupling

Fig 5: Floating Interleaved NBDC.



The best-known application is for powering microprocessors, commonly referred to as Voltage Regulator Modules (VRMs).

However, the interleaving technique is also well suitable for bidirectional converters.

Power converter paralleling architecture gives several advantages: current splitting ( $I_o/n$ ), current ripple cancelation, higher efficiency, better thermal performance, and high power density.

One of the most interesting benefits of the interleaved structures is the provision of high efficiency in a wide power range (from few a percent of a converter's nominal power to its nominal power). Also, by splitting the current into several paths, conduction ( $I^2R$ ) losses can be reduced.

Fig. 5 shows basic two-phase interleaved topologies. Interleaving half bridge topology (Fig. 4a) is the most common choice [18],

Fig. 4b shows the two-phase charge pump topology, which has higher conversion ratio than the conventional converter. Also, to gain a higher conversion ratio, a floating interleaved BDC can be applied. It is composed of a double non-floating (positive branch) and a double floating (negative branch) as shown in Fig.5.

This configuration enables high voltage gain, high efficiency, and low input current ripple, with reduced inductor and capacitor volumes, making it more cost-effective than conventional BDCs.

Power inductors of an interleaved converter can be coupled direct or inverse. Inverse coupling reduces phase current ripple and increases transient response.

The number of phases can be any from 2-4 to 16 or even 36.

#### 4.0 Conclusions

BDCs are gaining interest because of popularity of renewable energy sources and electric vehicles. They provide power exchanges between the dc bus and energy storage system. Despite the variety of the schemes, NBDCs can be divided into several basic families. Two main families are isolated and non-isolated converters.

This paper focuses on the non-isolated type. An overview and key operating features of each NBDC topology were provided. The advantages and disadvantages of each configuration were underlined.

Comparison of the basic reviewed bidirectional converter topologies is summarized in Table I. Resulting from the analysis presented, the half-bridge topology and its interleaving variations with coupled inductors are the most promising, high-efficient and robust solutions for future research

#### References

- [1] JS Lai, DJ Nelson. Energy Management Power Converters in Hybrid Electric and Fuel Cell Vehicles, in Proc. of the IEEE, 95(4), 2007, 766-777.
- [2] MA Abdullah, HM Yatim, CW Tan, AS

- Samosir. Control of a bidirectional converter to interface ultracapacitor with renewable energy sources, in Proc. of IEEE International Conference on Industrial Technology (ICIT 2013), Cape Town, 2013.
- [3] MY Chong, AA Rahman, NA Aziz, A Khamis. Performance comparison of bidirectional converter designs for renewable power generation, in Proc. of 4th International Power Engineering and Optimization Conference (PEOCO 2010), Shah Alam, 23-24 June 2010.
- [4] A Emadi, SS Williamson, A Khaligh. Power electronics intensive solutions for advanced electric, hybrid electric, and fuel cell vehicular power systems, *IEEE Trans. Power Electron.*, 21(3), 2006,567-577.
- [5] H Plesko, J Biela, J Luomi, JW Kolar. Novel Concepts for Integrating the Electric Drive and Auxiliary Dc-Dc Converter for Hybrid Vehicles, in Proc. of 22nd IEEE Applied Power Electronics Conference and Exposition (APEC 2007), Anaheim, 2007.
- [6] T Mishima, E Hiraki, T Tanaka, M Nakaoka. A New Soft- Switched Bidirectional DC-DC Converter Topology for Automotive High Voltage DC Bus Architectures, in Proc. of IEEE Vehicle Power and Propulsion Conference, Windsor, 6-8 Sept. 2006.
- [7] Y Hu, J Tatler, Z Chen. A bidirectional DC/DC power electronic converter for an energy storage device in an autonomous power system, in Proc. of The 4th International Power Electronics and Motion Control Conference (IPEMC 2004), Xi'an, 14-16 Aug. 2004.
- [8] KH Chao, CH Huang. Bidirectional DC-DC soft-switching converter for stand-alone photovoltaic power generation systems, *IET Power Electronics*, 7(6), 2014, 1557-1565.
- [9] K Kroics, U Sirmelis, J Cernovs. DSP based bi-directional interleaved dc-dc converter for energy storage application, in Engineering for Rural development, Jelgava, 23-24 May 2013.
- [10] C Abbey, Joos G, Supercapacitor Energy Storage for Wind Energy Applications, *IEEE Trans. Industry Appl.*, 43(3), 2007, 769-776.
- [11] S Kanta, B Plangklang, W Subsingha. Design of a Bi-directional DC-DC 4 Phase Interleave Converter for PV Applications, in Proc. of 11th Eco-Energy and Materials Science and Engineering (11th EMSSES), 2014.
- [12] BR Alamri, AR Alamri. Technical review of energy storage technologies when integrated with intermittent renewable energy, in Proc. of International Conference on Sustainable Power Generation and Supply, Nanjing, 6-7 April 2009.
- [13] YF Wang, LK Xue, CS Wang, P Wang. Interleaved High- Conversion-Ratio Bidirectional DC-DC Converter for Distributed Energy-Storage Systems—Circuit Generation, Analysis, and Design, *IEEE Trans. Power Electron*, 31(8), 2016, 5547-5561.
- [14] HJ Chiu, LW Lin. A Bidirectional DC-DC Converter for Fuel Cell Electric Vehicle Driving System, *IEEE Trans. Power Electron*, 21(4), 2006, 950-958
- [15] G Chen, D Xu, YS Lee. A family of soft-switching phase-shift bidirectional DC-DC converters: synthesis, analysis, and experiment, in Proc. of Proceedings of the Power Conversion Conference (PCC 2002), Osaka, 2002.
- [16] H Fan, D Xu. A family of PWM plus phase-shift bidirectional DC- DC converters, in Proc. of IEEE 35th Annual Power Electronics Specialists Conference (PESC 2004), 20-25 June 2004.
- [17] J Zhang, JS Lai, W Yu. High-Power Density Design of a Soft- Switching High-Power Bidirectional dc-dc Converter, *IEEE Trans. Power Electron*, 22(4), 2007, 1145-1153.
- [18] J Zhang, JS Lai, W Yu. Bidirectional DC-DC converter modeling and unified controller with digital implementation, in Proc. of 23rd IEEE Applied Power Electronics Conference and



- Exposition (APEC 2008), Austin, 24-28 Feb. 2008.
- [19] H Matsuo, W Lin, F Kurokawa, T Shigemizu. Characteristics of the multiple-input DC-DC converter, *IEEE Trans. Ind. Electron*, 51(3), 2004, 625-631.
- [20] ID Kim, SH Paeng, JW Ahn, EC. Nho, JS Ko. New Bidirectional ZVS PWM Sepic/Zeta DC-DC Converter, in *Proc. of IEEE International Symposium on Industrial Electronics*, Vigo, 4-7 June 2007.
- [21] DP Urciuoli, CW Tipton. Development of a 90 kW bi-directional DC-DC converter for power dense applications, in *Proc. of 21st Annual IEEE Applied Power Electronics Conference and Exposition (APEC 2006)*, Dallas, 19-23 March 2006.
- [22] S Aso, M Kizaki, Y Nonobe. Development of Fuel Cell Hybrid Vehicles in Toyota, in *Power Conversion Conference (PCC 2007)*, Nagoya, 2-5 April 2007.
- [23] SJ Kim. Modeling and analysis of spacecraft battery charger systems, in *PhD Dissertation*, VPI and SU, 1991.
- [24] F Caricchi, F Crescimbeni, G Noia, D Pirolo. Experimental study of a bidirectional DC-DC converter for the DC link voltage control and the regenerative braking in PM motor drives devoted to electrical vehicles, in *Proc. of 9th Annual Applied Power Electronics Conference and Exposition (APEC 1994)*, Orlando, 13-17 Feb. 1994.
- [25] T Kang, C Kim, Y Suh, H Park. A design and control of bi-directional non-isolated DC-DC converter for rapid electric vehicle charging system, in *Proc. of 27th Annual IEEE Applied Power Electronics Conference and Exposition (APEC 2012)*, Orlando, 5-9 Feb. 2012.
- [26] SB Tank, K Manavar, N Adroja. Non-Isolated Bi-directional DC-DC Converters for Plug-In Hybrid Electric Vehicle Charge Station Application, in *Proc. of Emerging Trends in Computer & Electrical Engineering (ETCEE 2015)*, April 2015.
- [27] S Waffler, J Biela, JW Kolar. Output ripple reduction of an automotive multi-phase bi-directional dc-dc converter, in *Proc. of IEEE Energy Conversion Congress and Exposition*, San Jose, 20-24 Sept. 2009.
- [28] Swaffler, JW Kolar. Comparative evaluation of soft-switching concepts for bi-directional buck+boost dc-dc converters, in *Proc. of International Power Electronics Conference (IPEC 2010)*, Sapporo, 21-24 June 2010.
- [29] S. Waffler and J. W. Kolar. A Novel Low-Loss Modulation Strategy for High-Power Bidirectional Buck Boost Converters, *IEEE Trans. Power Electron.*, 24(6,) 2009, 1589-1599.
- [30] NB Dawood. Review of Different DC to DC Converters Based for Renewable Energy Applications, *International Research Journal of Engineering and Technology*, 3(3), 2016, 46-50.
- [31] MR Mohammadi, H Farzanehfard. A new bidirectional ZVS- PWM Cuk converter with active clamp, in *Proc. of 19th Iranian Conference on Electrical Engineering*, Tehran, 17-19 May 2011.
- [32] YS Lee, MW Cheng. Intelligent control battery equalization for series connected lithium-ion battery strings, *IEEE Trans. Ind. Electron.*, 52(5), 2005, 1297-1307.
- [33] E Adib, H Farzanehfard. Soft switching bidirectional DC-DC converter for ultracapacitor-batteries interface, *Energy Conversion and Management* 50(12), 2009, 2879-2884.
- [34] DC Denny, M Shahin. Analysis of bidirectional SEPIC/Zeta converter with coupled inductor, in *Proc. of International Conference on Advancements in Power and Energy (TAP Energy 2015)*, Kollam, 24-26 June 2015.

- [35] ID Kim, YH Lee, BH Min, EC Nho. Design of bidirectional PWM Sepic/Zeta DC-DC converter, in Proc. of 7th International Conference on Power Electronics, Daegu, 22-26 Oct. 2007.
- [36] MS Song, YD Son, KH Lee. Non-isolated Bidirectional Soft-switching SEPIC/ZETA Converter with Reduced Ripple Currents, *Journal of Power Electronics*, 14(4), 2014, 649-660.
- [37] G. Kumar, G Ramudu, DV Arun. Analysis and Implementation of bidirectional DC to DC Converter by using Fuzzy logic Controller, *The International Journal Of Engineering And Science*, 3(6,) 2014, 22-39,.
- [38] SR Gurralla, KV Lakshmi. A Novel Bidirectional DC-DC Converter with Battery Protection, *International Journal of Modern Engineering Research*, 2(6), 2012, 4261-4265.
- [39] LS Yang, TJ Liang. Analysis and Implementation of a Novel Bidirectional DC-DC Converter, *IEEE Trans. Ind. Electron*, 59(1), 2011, 422-434
- [40] Y Ye, KW Cheng, J Liu, C Xu. Bidirectional tapped-inductor- based buck-boost convertor and its circuit application, in Proc. of 5th International Conference on Power Electronics Systems and Applications (PESA 2013), Hong Kong, 11-13 Dec. 2013.
- [41] FA Himmelstoss, PA Wurm. Simple bidirectional DC-to-DC converter with high input to output voltage ratio, in *EPSEC*, 2002.
- [42] MN Gitau, FM Mwaniki, IW Hofsjager. Analysis and Design of a Single-Phase Tapped-Coupled-Inductor Boost DC-DC Converter, *Journal of Power Electronics*, 13(4), 2013, 636-646